

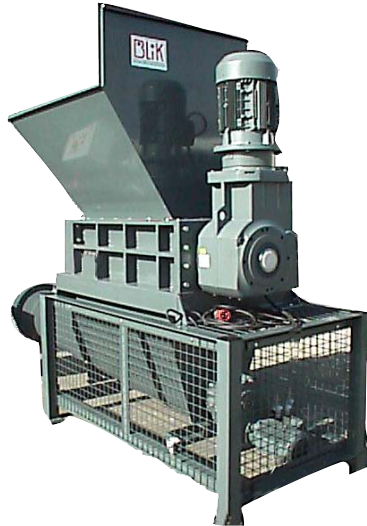
B600 / 500 – 750 – 950 series BLiK crusher-shredders, 2 Rotors

Powerful, Silent, Adaptable, Multi-product

The B600 series crushers are bi-rotor crushers with rotating blades which can handle a wide range of materials.
They are powerful and silent and can easily be adapted to crush materials as wide ranging as wood, metal, rubber, paper, plastic and composites.
They are equipped with a quick cleaning, cutting block; designed and patented by BLiK.
The highly resistant, steel blades are mounted on a hexagonal axle and can be configured in a number of ways, to suit the material and quality of crush required.



Broyeur BLiK
B600-500 BLiK Crusher
on 700 l.containers



BLiK B600 crusher with large volume hopper and extraction screw.



BLiK B600 crusher with front compartment closed (for crushing doors).



BLiK B600 crusher with front compartment open (for crushing barrels).

Possible options	
Materials	Hourly output (*)
VL tyres	2 to 4000 kg
100 to 200 litre steel barrels	30 to 40
200 litre plastic barrels	50 to 60
Documents and files	1000 to 1500 kg
Full PVC and PET bottles	12 to 15000
Glass bottles	15 to 20000
Batteries for cars and agricultural machinery	3 to 4000 kg
33 cl. drink cans	20 to 40000
Pallets	20 to 40
Various fabrics and leathers	1000 to 2500 kg
Horns	500 to 1000 kg
Regular hotel and restaurant waste	10 to 15 m ³
Electronic circuits	500 to 1000 kg
Plants and bark	1000-3000 kg

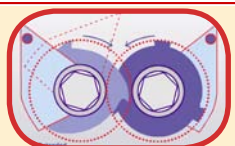
(*) depending on power, density, quality of crush and configuration of cutting block.

GENERAL TECHNICAL SPECIFICATIONS (*) B600 Series

Name	B600 – 500	B600-750	B600-950
Size of cutting block mm	600 x 500	600 x 750	600 x 950
kW Power	18 kw Tri. 400 V 50 hZ	18 kw Tri. 400 V 50 hZ	18 kw Tri. 400 V 50 hZ
Hopper volume m ³	0,4 à 1	0,5 à 1	0,8 à 1,5
Cutting block size and motor-reducer Lx D x H (mm)	1945 x 900 x 515	2190 x 900 x 515	2385 x 900 x 515
Also available in special versions			
Hopper rammer —Table	Option	Option	Option
Blade thickness (mm)	12/24/36	12/24/36	24/36
Rated rotation speed	19/13	19/13	19/13
Width blade on hexagonal axle	Width 260-315 80/88	Width 260-315 80/88	Width 260-315 80/88
Blade. N° of hooks	1-3-14	1-3-14	1-3-14
Electronic control	Telemecanic Automate	Telemecanic Automate	Telemecanic Automate
Approx. weight	1100 kg	1400 kg	1800 kg

Standard crushers are supplied in working order – Cutting block + motor-reducer + Electronic cabinet Hoppers and support chassis are made to order

French design and manufacture - "CE" certified - 1 year guarantee (*) – Subject to technical and optical modifications



BLiK

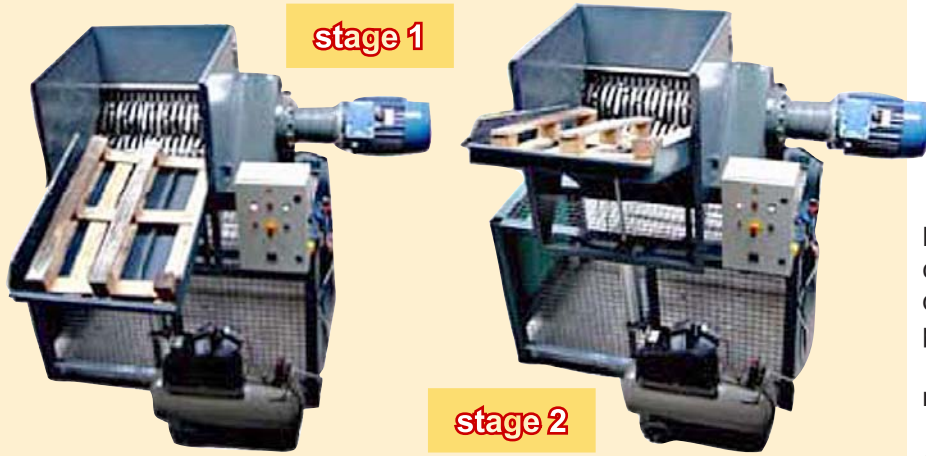


www.blik.fr

BLIK - Waste Recovery and Processing Equipment
 Z.I. de Chenet
 91490 MILLY-LA-FORET
 E.mail: blik@blik.fr

telephone:
 33 (0)1 64 98 79 79
fax:
 33 (0)1 64 98 79 78

BLiK B600 series crushers – shredders (continued)



stage 1

stage 2

BLiK B600 crusher with pneumatic feeder. Destruction of pallets, easy servicing.

BLiK B600 crusher: destruction of plastic containers: the only way to reduce their volume because if they are simply pressed, they gradually bounce back into shape.



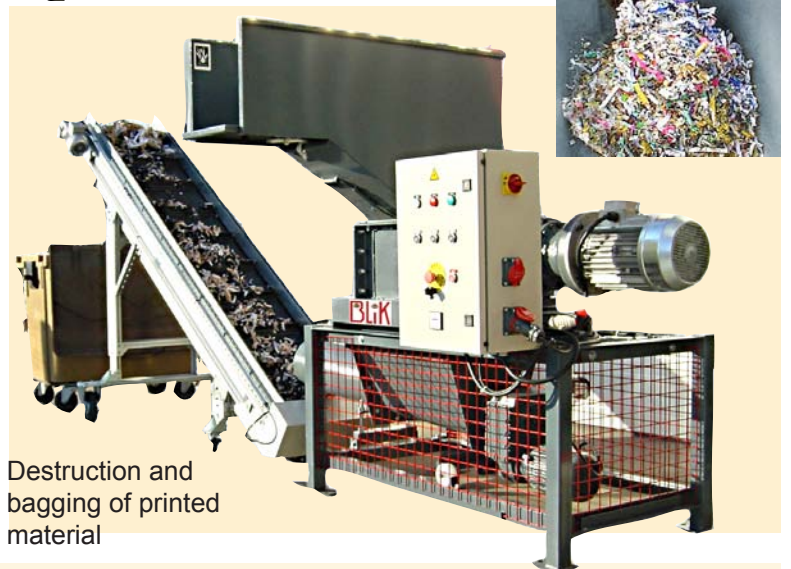
Crusher BLiK B600-750: evacuation of vibrating screen for separation



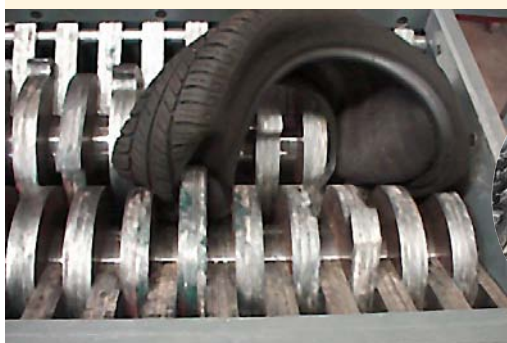
Crusher BLiK B600-510: evacuation directly horizontal baler



BLiK crusher with extraction screw and rotary drum for contents separation and for powdery materials



Destruction and bagging of printed material



BLiK B600 crusher: shredding tyres.

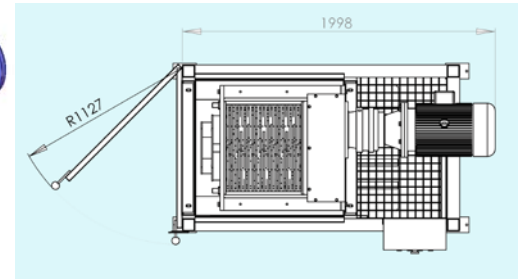
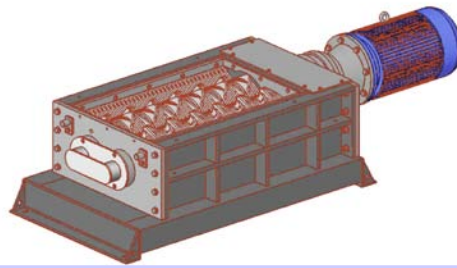
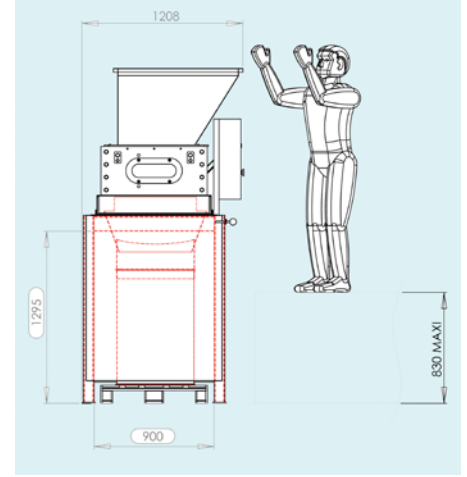
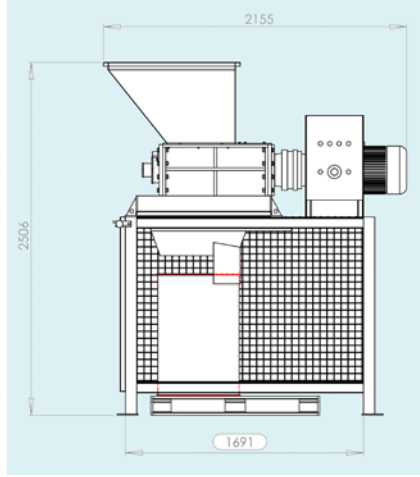


B600 crusher: crushing crates.



BLiK B600 series crushers – shredders (continued)

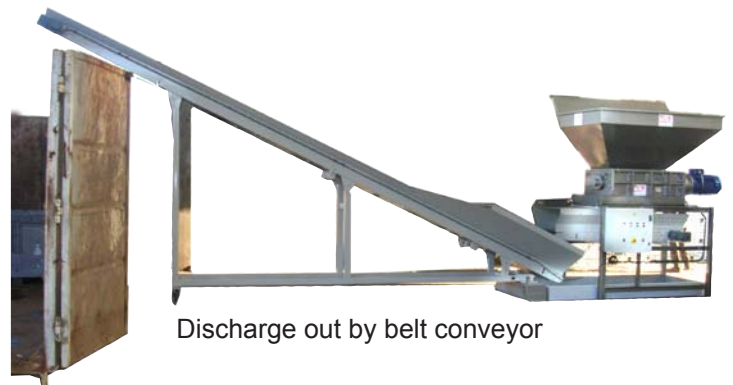
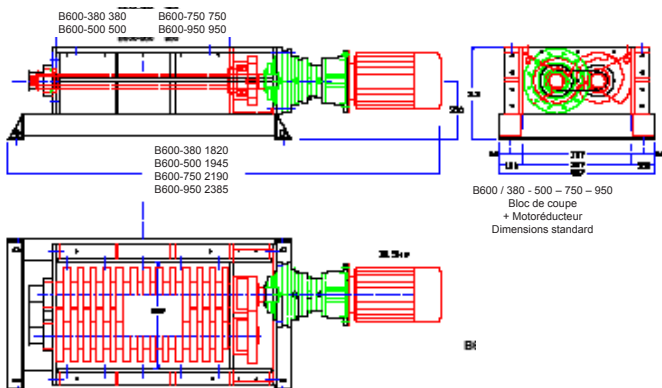
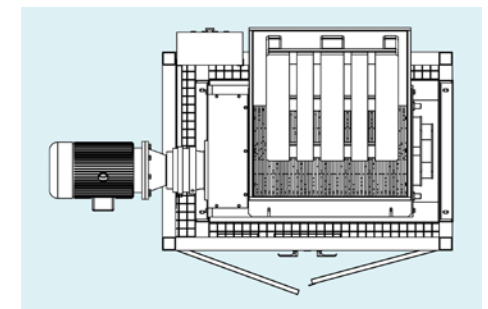
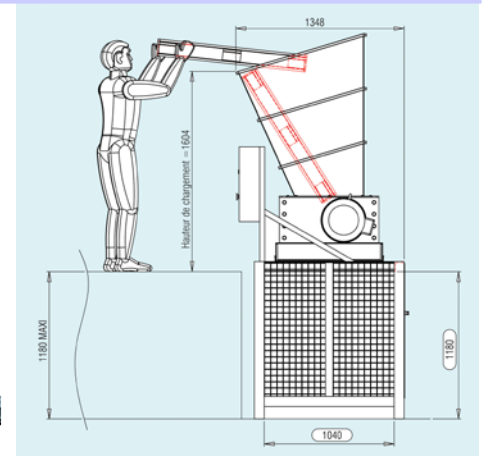
B600_510: Discharge out into barrels



BLiK B600 crusher: destruction of pallets



BLiK B600 crusher:
destruction of pallets
(inside view).



Discharge out by belt conveyor