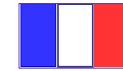


# BLIK CRUSHERS B 840 Serie, 2 Rotors

**The french manufacturer, BLiK, designs, studies, develops and manufactures “universal” crushers with rotating blades for a wide range of industrial purposes**

**These uniquely designed crushers come in a variety of configurations ranging from 2 to 30 kW and benefit from special design patents which make them easy to run and to service.**

**The B840 series crushers are two-shaft crushers with rotating blades which can handle a wide range of materials. Power: 30kw - cutting width: 758 - 1250 mm.**



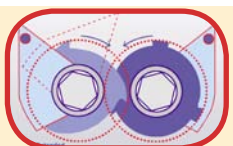
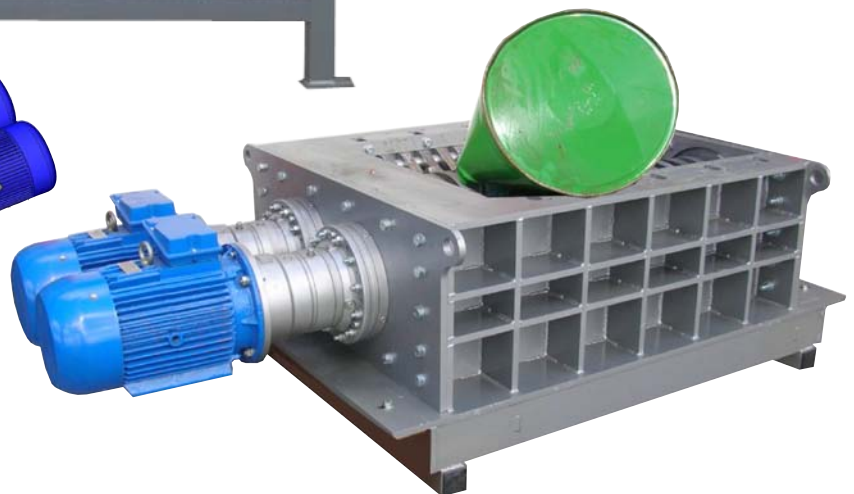
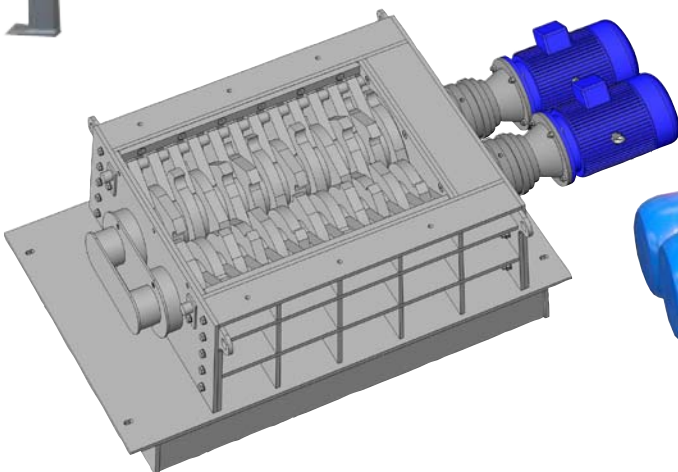
**French  
Design and  
manufacture**

## Possible Options

- VL TYres
- Steel barrels
- Plastic Containers
- Batteries for cars
- Bulky refuse
- Special waste
- Pallets

## CAPACITY:

- VL TYRES : 3 t/Hour
- PLASTIC FILMS : 2 t / Hour
- Metallic Barrels : 50 pieces/ Hour



**BLiK**

**BLIK - Waste Recovery  
and Processing Equipment**



[www.blik.fr](http://www.blik.fr)

91490 MILLY-LA-FORET  
E.mail: [blik@blik.fr](mailto:blik@blik.fr)

**telephone:  
33 (0)1 64 98 79 79  
fax:  
33 (0)1 64 98 79 78**

page  
**1**

## ADVANTAGES:

**S**low Rotation, silent, no vibration

**E**lectric Control, planetary gearbox for a crushing without blows

**R**egular rotation of the shafts thanks to the electronic system of regulation according to the load of the crusher

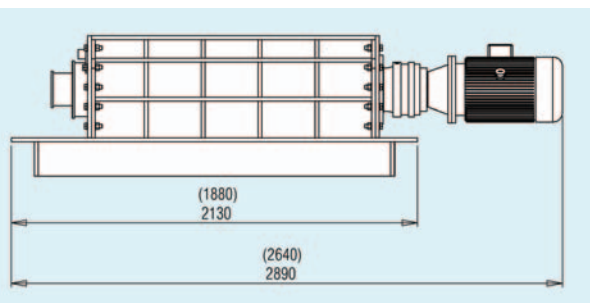
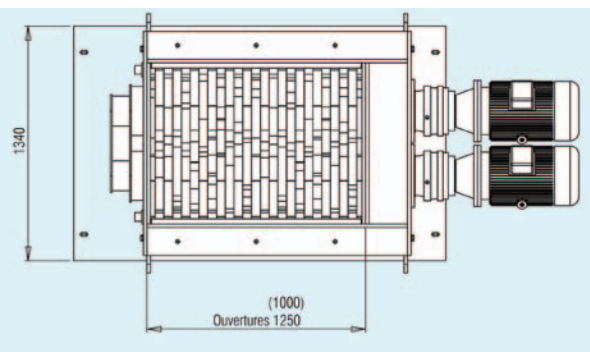
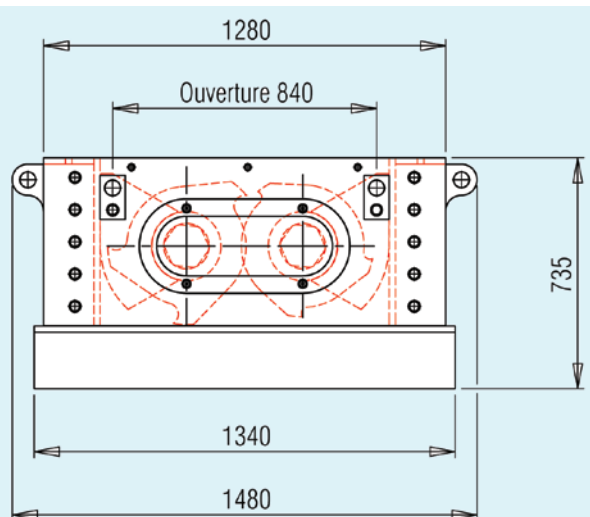
**A**utomatic greasing for protection of the bearings and elements of transmission against acids, fluids and dust

**C**ommands adaptable to the products to be crushed thanks to the system of electronic inversion integrated

**E**asy maintenance, rigorous quality control



B840-1250 during installation, before installing the base and switch box



Name	B840/750	B840/1000	B840/1250
Size of cutting block mm	758 x 840 mm	1008 x 840 mm	1250 x 840 mm
Number of shafts	2	2	2
width of blades	500/540 mm	500/540 mm	500/540 mm
Number of blades thickness 40 mm	19	25	32
Number of blades thickness 50 mm	15	20	25
width of shafts	150 mm	150 mm	150 mm
rated rotation speed	10/21 tpm	10/21 tpm	10/21 tpm
kW	30 kW	30 kW	30 kW
Power	400 V	400 V	400 V
Protection fuse	63-120 A	63-120 A	63-120 A
Approx. weight	3300 kg	3700 kg	4200 kg
<b>Electronic control: automatic reverse-start-stop overload</b>			

French design and manufacture - "CE" certified - 1 year guarantee (\*) - Subject to technical and optical modifications

# BLiK CRUSHERS B 840 Serie, 2 Rotors (continued)

**Crushing and sorting equipment: input conveyor, crusher B840, magnetic sorting by overband, removal conveyor**



Hardware power to grind



after sorting overband: plastic



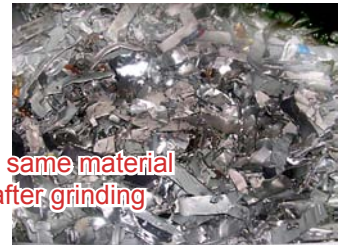
Printers larger models



after crushing, sorting is facilitated

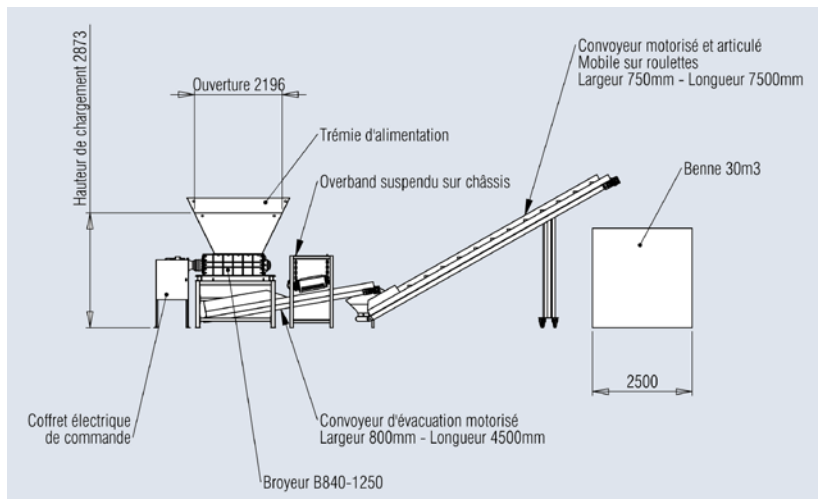
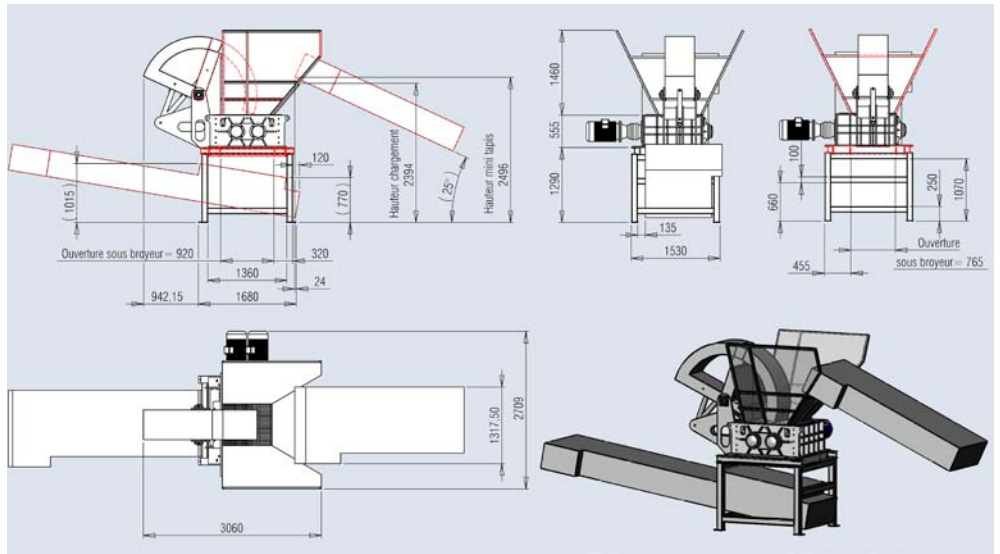


the same material after grinding



Pallets of computer equipment to power grind

input conveyor, crusher B840, magnetic sorting by overband, removal conveyor



# BLiK CRUSHERS B 840 Serie, 2 Rotors (continued)

**B 840-1250, destruction of pallets and wood cases, with separation of the metal points, and evacuation out of 30 M3 containers**



Blik B840 crusher



Overview



Untreated material



magnetic separation of the points



Evacuation of wood



Filling of the bucket



Crushing of parts of automobile body

B 840-1250

