

BLIK "CLEAN" MINI CRUSHERS, BB Series, 2 Rotors

BLiK Mini crushers can be used practically anywhere: office, industry, laboratory, community.

Be it to eliminate documents, packaging or contaminated waste products, they can easily be adapted to most situations. They are ideal for destroying sensitive documents for security purposes or if you just want to make more space.

They are ideal for getting rid of packaging or surplus branded and luxury goods to avoid fraudulent use, which could prejudice the image of the company or manufacturer.

New or used metal or plastic containers, tanks, bottles, etc...

Electronic components and circuit boards for recycling or safety reasons.

Various types of security cards including bank cards and passes. IT media in general and CDs.

Hazardous waste materials: batteries and, pharmaceuticals.

Recycling and processing of food products.



BB350, wide hopper, with output «BLIK endless screw»



BB230 with output «BLIK endless screw» filling bag upright



BLIK BB230 Crusher, Special destroying documents and archives



BLiK BB230, standard version



BLiK BB350, standard version

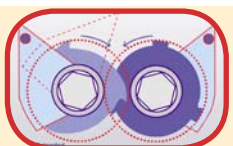


Stainless steel: cutting block

OPTIONAL



Stainless steel: blades



BLiK



www.blik.fr

BLIK - Waste Recovery and Processing Equipment

Z.I. de Chenet
91490 MILLY-LA-FORET
E.mail: blik@blik.fr

telephone:
33 (0)1 64 98 79 79
fax:
33 (0)1 64 98 79 78

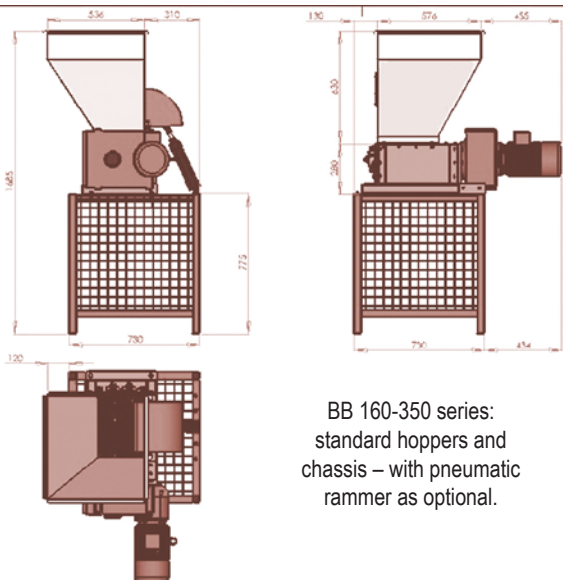
BLiK "CLEAN" MINI CRUSHERS, BB Series, 2 Rotors (continued)



BLiK BB230, standard version



BB230 BLiK crusher: with pneumatic rammer: for plastic bottles. Handles 500-600 per hour.



BB 160-350 series: standard hoppers and chassis – with pneumatic rammer as optional.

Clean, because they include an exclusive, patented, rapid blade-cleaning mechanism which doesn't require disassembly.

Easy maintenance: this is particularly important for hygiene and servicing and when you need to crush something that mustn't be contaminated by residue from previously treated material. This takes no longer than fifteen minutes.

Universal: because their mixed blades can be configured to produce varying degrees of crushed material and to perform at different strengths.

Modular: they can be doubled or tripled in thickness. Pieces can be added or removed. This makes them even more flexible.

They come in 3 thicknesses; 8 – 6 and 4 mm. This allows the crusher to be configured in over 150 different combinations.

Automatic: they are equipped with automatic reverse-start-stop mechanisms as standard. This is controlled electronically and. All crushers with rotating blades can be equipped with a special, proprietary, microprocessor.

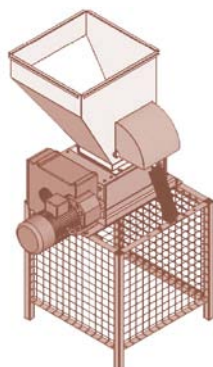
Options: they can be fitted with a pneumatic or manual slammer.

Adaptable: all hoppers and chassis can be adapted for special purposes or conditions. They are available in special versions, (stainless steel or fireproof, for example).

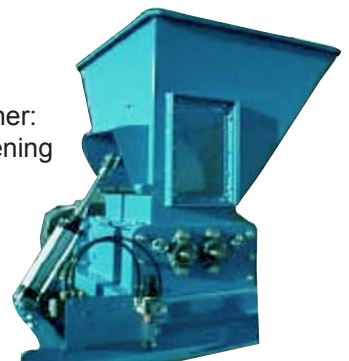
Safety: all crushers meet "CE" specifications and comply with current safety standards. They are made from top quality components by well known manufacturers and come with a one year guarantee.

Material	Hourly output*
Metal shavings	100 to 500 Kg
Office bins	1 to 2 m3
Plastic containers between 2 and 10 litres	1 to 2 m3
Plastic PVC and PET containers	800 units or 1 m3 or 40 kg
Telephone equipment	50 - 100 kg
Domestic batteries	700 kg
Metal tops, wire caps	300 kg or 2 m3
Various fabrics and leather	50 - 200 kg
Floppies and CDs	1000 to 1500
33 cl. cans	500 to 1000
Electronic circuits	100 to 150 kg
Pharmaceutical bulbs and syringes	15 to 30.000
Paper filters	50 to 250 kg
Plants and bark - Algae	50 to 200 kg

* Depending on power, density & quality of crush required



BB350SD BLiK crusher: with rammer and opening

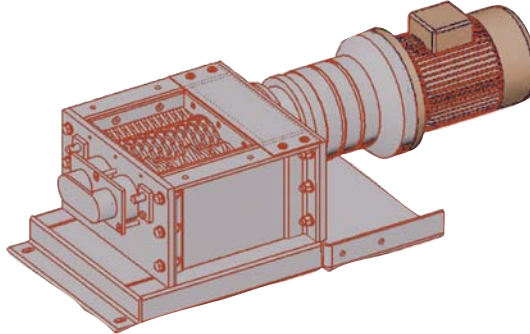


BLiK "CLEAN" MINI CRUSHERS, BB Series, 2 Rotors (continued)



BLiK BB mini crusher with usual products

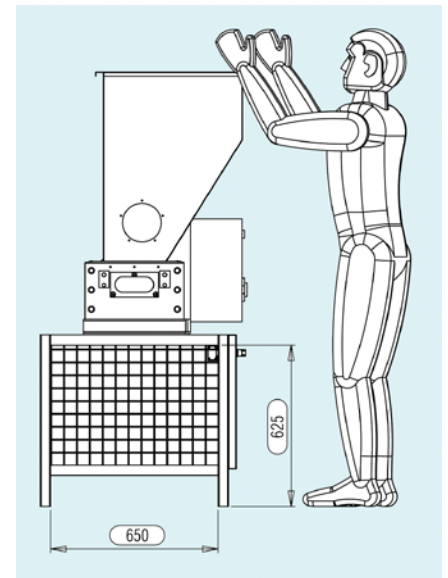
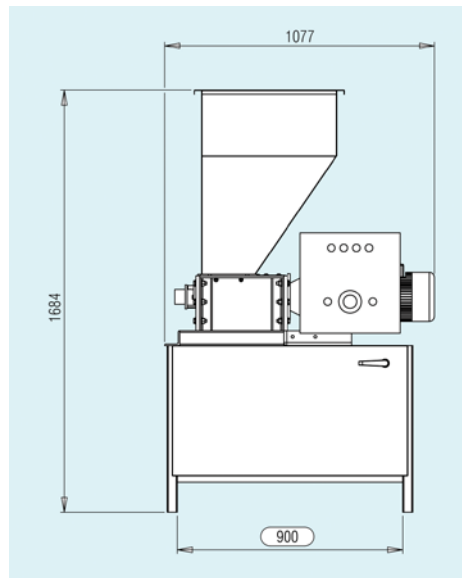
BLiK BB230 Crusher, Special destroying documents and archives



BLiK BB230 : cutting block



BB230 breaking bottle and small glass vials



(*) BLiK crushers - BB mini	BB Series TECHNICAL SPECIFICATIONS		
Model	BB 160	BB 230	BB 350
Cutting assembly	265 x 160	265x230	265x350
Power kW	2-3 230/400 V Tri 50 hz	2-3 230/400 V Tri 50 hz	3 230/400 V Tri 50 hz
Hopper volume (**)	30 to 40 L	50-100 L	60-150 Li
Dimensions (mm) with Chassis - L x P x H . (**)	730 x 1100 x 1700	730 x 1100 x 1700	730 x 1100 x 1700
Blade width	102-120	102-120	102-120
Blade thickness	8- 6- 4- 3 Standard GC	8- 6- 4- 3 Standard GC	8-6 ou 4 Standard GC
Electronic control	telemecanic automate	telemecanic automate	telemecanic automate
Weight	250	280	320
Made in France - "CE" certified - 1 year guarantee.....(*) Subject to technical and optical modifications (**) depending on use and plant			

